

Uni-Pak[®]

UP4444 (Space Saver)

Outside Dimensions

O.D. = 44" x 44" x 45"

Outside dimension is measured from the floor to the top of the locating nub on the cover.

Inside Usable Dimensions

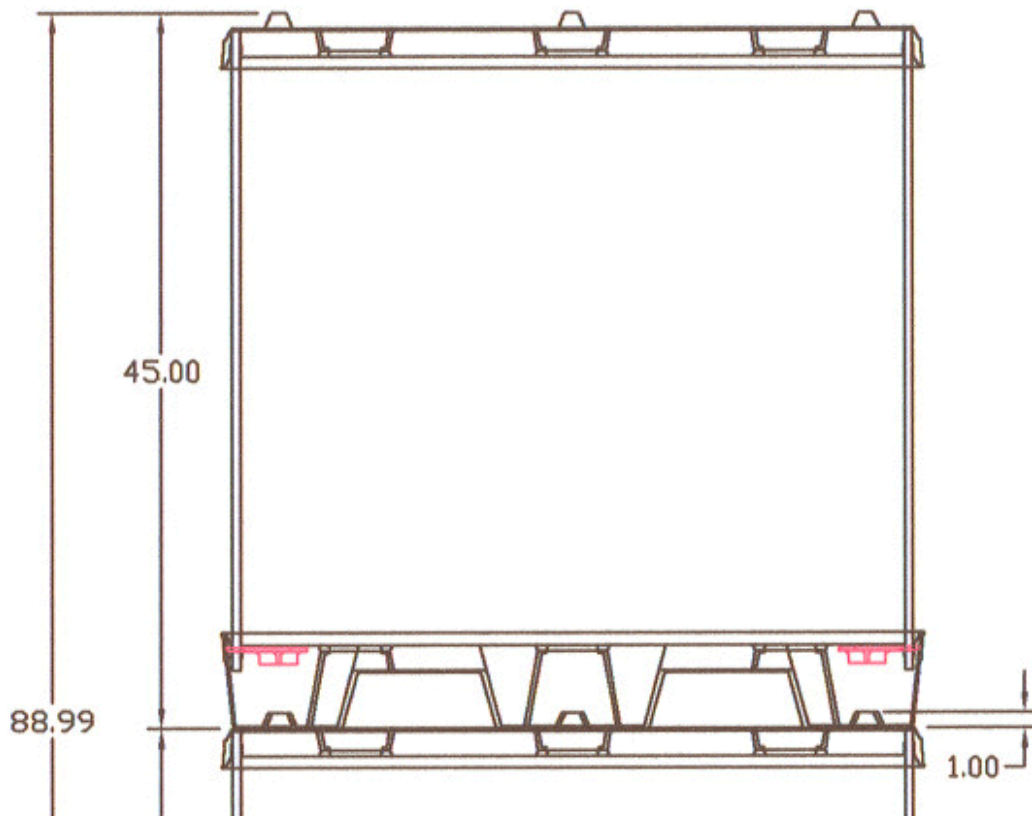
Use the following formulas to calculate I.U.D.
To build your own Uni-Pak

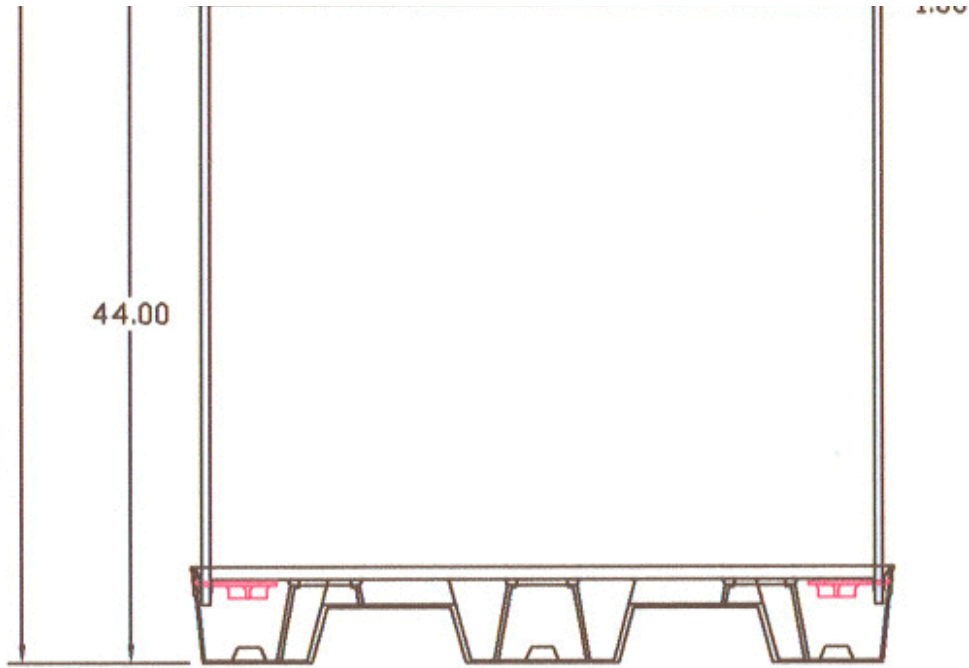
Width and Length
 $44" - 2.75" = 41.25"$
and
 $44" - 2.75" = 41.25"$

Container Height
Using a 45" O.D. as an example
 $45" - 7.76" = 37.24"$

I.U.D. = 41.25" x 41.25" x 37.24"

THE FOLLOWING DIMENSIONS FOR REF. ONLY:





Dimensions for nesting and stacking calculation

- First pallet on floor: 6.00"
- Nested pallet in pallet: 1.75"
- First top nested in pallet: 1.75"
- Nested top in top: 1.75"
- Sleeve (accordion folded in length dimension) 2.25"

